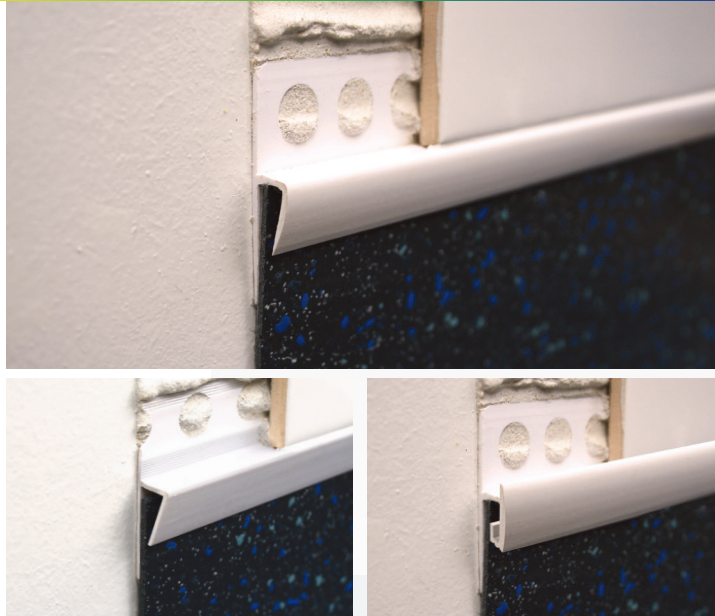
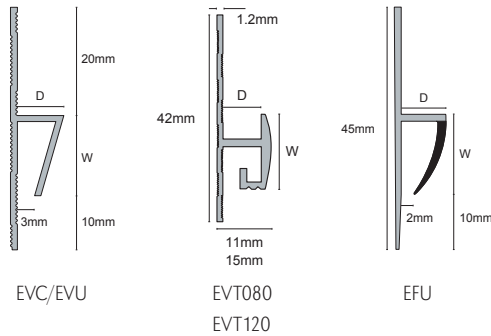


EVC / EFU / EVT

Product Datasheet 6.19



P.V.C. Vinyl to Tile



01 White



11 Grey*



16 Black*



*EVC only

Product Description

EVT is a neat and effective solution: P.V.C profiles that offer a neat transition between soft skirting and ceramic tiles. The cavity on the EVT profile allows for protection of the floor covering and the ceramic tile.

The EFU is a co extruded profile with a flexible face allowing vinyl as thin as 2mm to be used. The EVU is exactly the same as the EFU except the profile is unpunched and therefore designed to sit on top of the tile.

The EVC is economical, neat and effective solution: P.V.C profile that offers a neat transition between soft skirting and ceramic tiles. The EVU is exactly the same as the EVC except the profile is unpunched.

Dimensions

All EDA profiles are available in 2.5m. With widths of 5, 14 and 22mm and depths of 8, 9 and 10mm

Maintenance

Genesis EFU requires no special maintenance. Clean periodically using a neutral detergent to maintain the appearance. Regular cleaning aids the longevity of the profile.

Installation

1. Measure and cut the profile to the desired length.
2. If fixing during tiling installation trowel adhesive onto substrate and bed the profile into position ensuring the adhesive penetrates through the holes in the anchoring flange.
3. Trowel the adhesive over the holes and position tiles accordingly.
4. Tuck flooring material into the cavity below. (If a thicker floor covering is used the weak points on the EVT can be cut back if required.)
5. Apply silicone or similar sealant if required to provide a complete seal.

Technical Details

UPVC is particularly suitable for a wide range of application due to its excellent chemical resistance, however note the following:

Not recommended for use above 60°C resistant to most oils, alcohols, petrol and fats. It is unsuitable for use in contact with aromatic and chlorinated hydrocarbons, ketones, nitro compounds, esters and cyclic ethers with cause some swelling.

Property	Test Method	Result
Vicat Softening Point	ISO 306	93°C
Tensile Modulus	ASTM D638	1.19 GPa
Yield Stress	ASTM D638	44.8 MPa
Yield Strain	ASTM D638	4.42%
Elongation at Failure	ASTM D638	131%
Flexural Modulus	ISO 178	2.38 GPa
Tensile Impact Strength	ISO 8256	413 kJ/m ²

+44 (0)1642 713000 info@genesis-gs.com
www.genesis-gs.com

